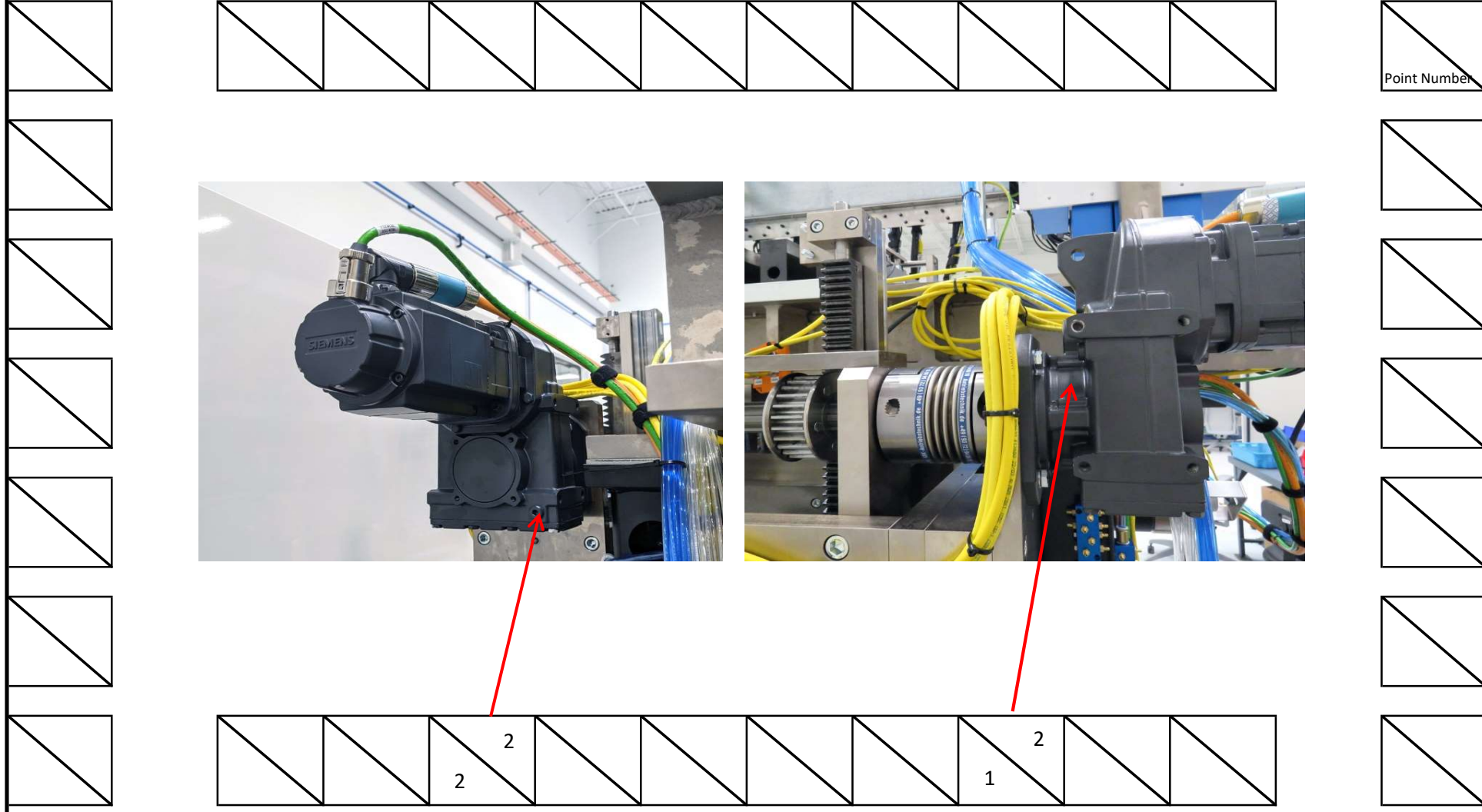


Total Point Number



Gear Motor 1
Vertical Ball Recirculation Unit 2, 3
Horizontal Ball Recirculation Unit 4
SKF Lubrication System 5

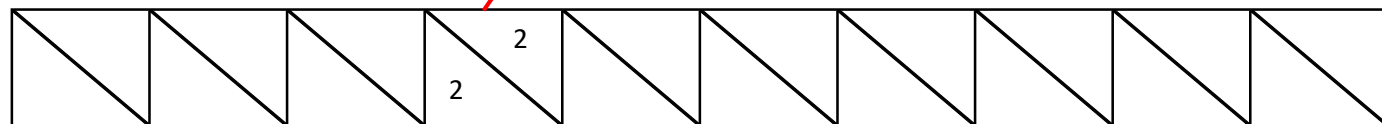
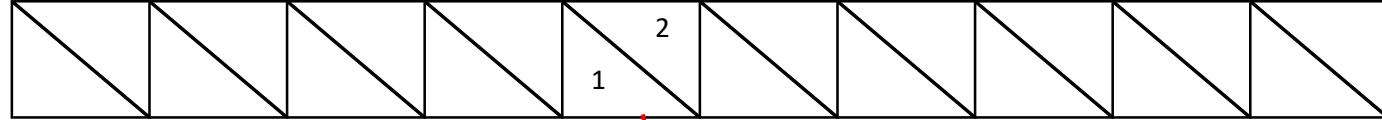
This is a blank slide in your 'Line Board Printout' PowerPoint file to place this Lubrication Map. Located:



Point Number

This is a blank slide in your 'Line Board Printout' PowerPoint file to place this Lubrication Map. Located:

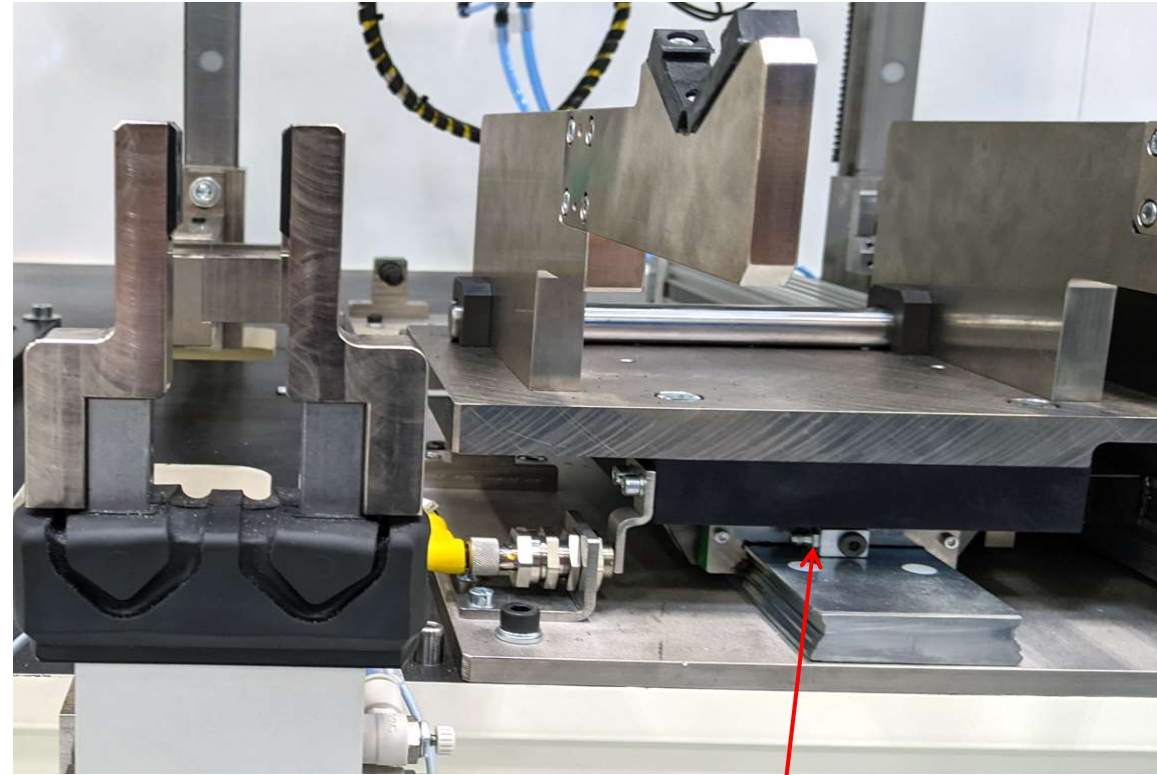
Gear Motor Oil Level Bore Hole 1. **NPM# ???** CLP ISO VG220 
Gear Motor Oil Drain 2. **NPM# ???** CLP ISO VG220 



Lube points 1,2 are Zerk Fittings. **NPM# ???** Lithium Based Grease NLGI#2



This is a blank slide in your 'Line Board Printout' PowerPoint file to place this Lubrication Map. Located:

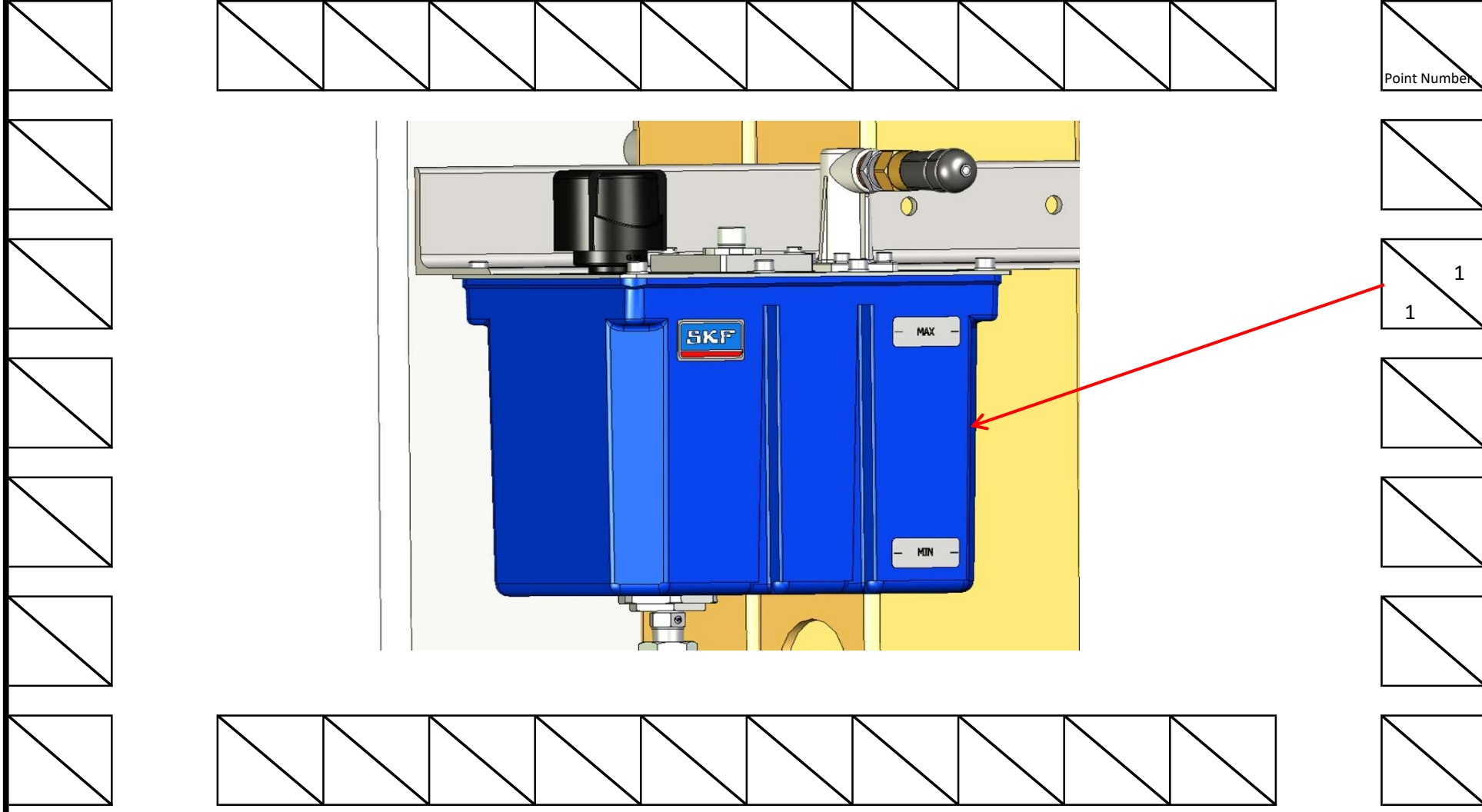


1
1

Lube point 1 is Zerk Fitting. **NPM# ???** Lithium Based Grease NLGI#2



This is a blank slide
in your 'Line Board
Printout'
PowerPoint file to
place this
Lubrication Map.
Located:








This is a blank slide in your 'Line Board Printout' PowerPoint file to place this Lubrication Map. Located:

Tank Reservoir - NPM# ??? CLP 220 Industrial Oil



Inline Crankshaft Gage Op 178 PM Lubrication Schedule

Activity Type	Description of Task	Location	Frequency	Task Time	Sep.09	Oct.09	Nov.09	Dec. 09	Jan. 10	Feb. 10	Mar. 10
	Gear Motor Oil Level	Page 2	☆	5 min							
	Gear Motor	Page 2	⬡	30 min							
	Zerk Fittings 2 places	Page 3	⬠	10 min							
	Zerk Fittings 1 place	Page 4	⬠	5 min							
	Reservoir Level	Page 5	☆	5 min							



Shape Code : Frequency							
Daily	Semi-Weekly	Weekly	Monthly	2 Month	Quartile	Semi-Annually	Annually
☆	△	□	○	⊕	◇	⬠	⬡